

Adding and subtracting mixed numbers – Non calculator (12 cards)

Card 1

⇒ $4\frac{1}{12}$

Work out

$$1\frac{1}{2} + 3\frac{3}{4} =$$

32 46

Set C4

⇒ ???

Card 2

⇒ $2\frac{1}{8}$

Work out

$$3\frac{2}{3} - 1\frac{1}{4} =$$

32 46

Set C4

⇒ ???

Card 3

⇒ $1\frac{1}{2}$

Work out

$$4\frac{1}{4} - 3\frac{7}{8} =$$

32 46

Set C4

⇒ ???

Card 4

⇒ $\frac{3}{4}$

Work out

$$1\frac{1}{3} + 2\frac{3}{4} =$$

32 46

Set C4

⇒ ???

Card 5

⇒ $\frac{3}{8}$

Work out

$$1\frac{1}{6} - \frac{2}{3} =$$

32 46

Set C4

⇒ ???

Card 6

⇒ $3\frac{1}{12}$

Work out

$$1\frac{1}{2} + 2\frac{3}{10} =$$

32 46

Set C4

⇒ ???

Card 7

⇒ $5\frac{1}{4}$

Work out

$$2\frac{1}{2} - 1\frac{4}{5} =$$

32 46

Set C4

⇒ ???

Card 8

⇒ $4\frac{1}{6}$

Work out

$$3\frac{7}{10} - 2\frac{1}{5} =$$

32 46

Set C4

⇒ ???

Card 9

$3 \frac{4}{5}$

Work out

$$\frac{7}{8} + 1 \frac{1}{4} =$$

32 46

Set C4

???

Card 10

$2 \frac{5}{12}$

Work out

$$2 \frac{1}{3} + 1 \frac{5}{6} =$$

32 46

Set C4

???

Card 11

$\frac{1}{2}$

Work out

$$3 \frac{1}{4} - 2 \frac{1}{2} =$$

32 46

Set C4

???

Card 12

$\frac{7}{10}$

Work out

$$1 \frac{5}{6} + 1 \frac{1}{4} =$$

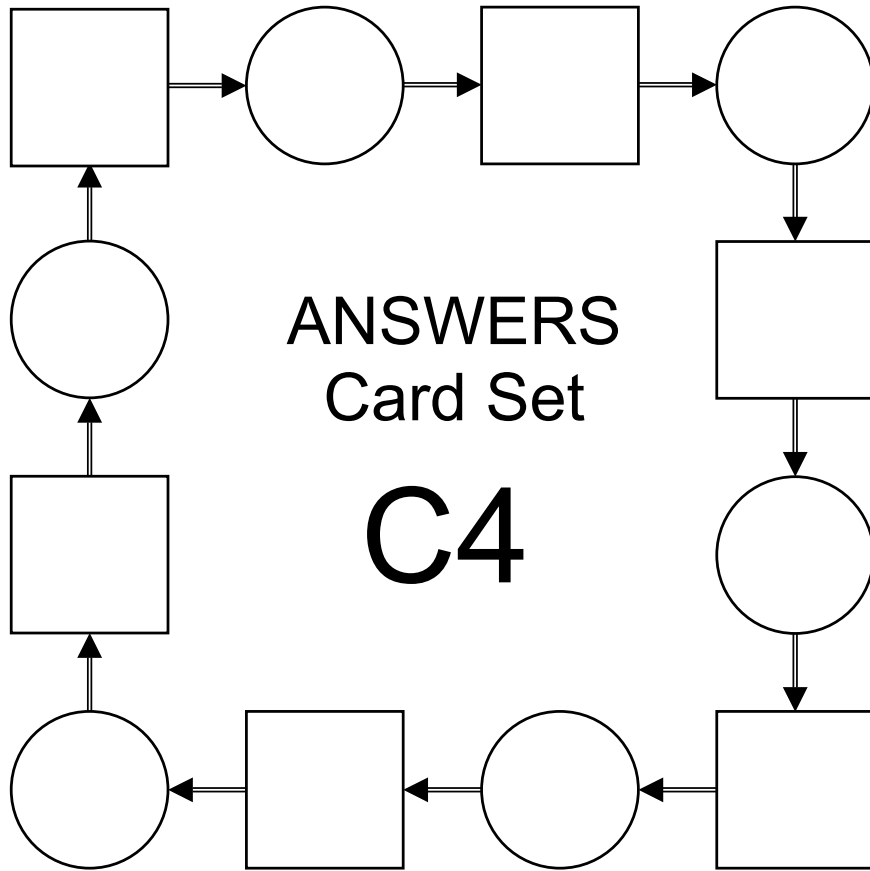
32 46

Set C4

???

Name

Addition and subtraction of mixed numbers



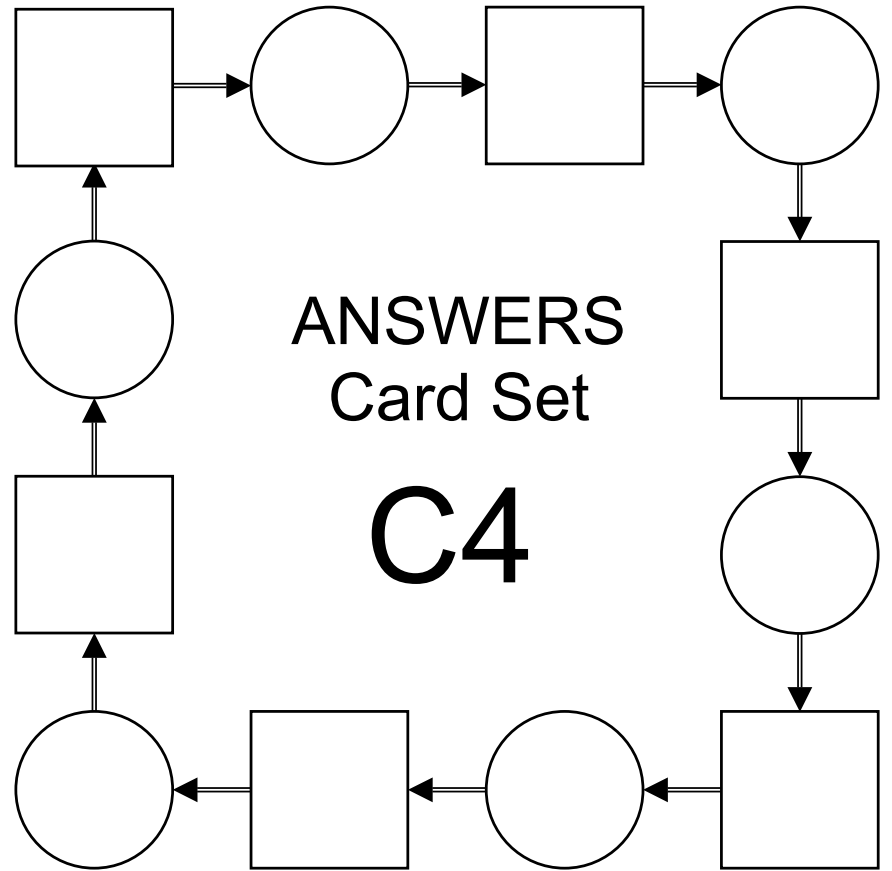
ANSWERS
Card Set

C4

TOTALS	

Name

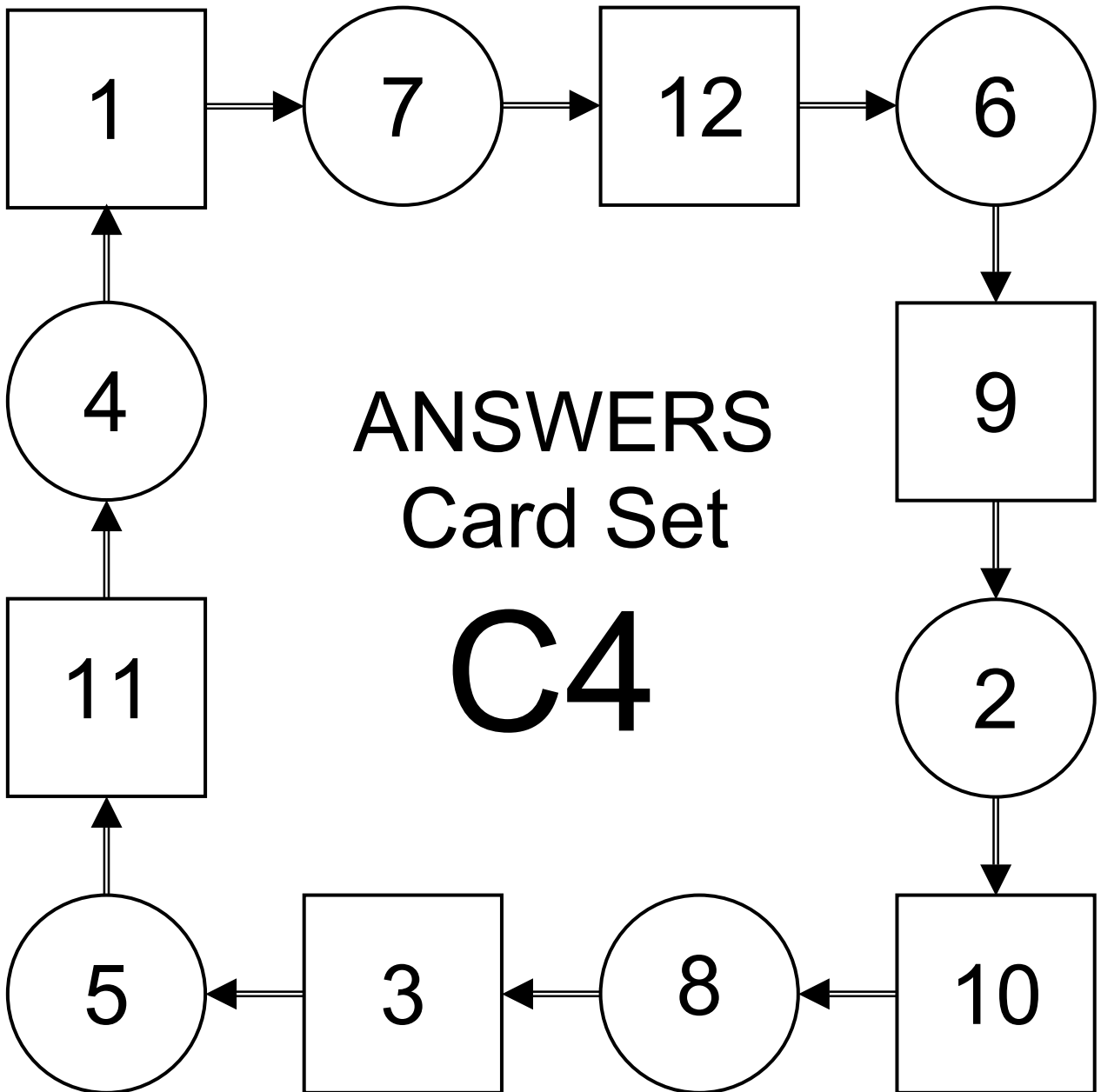
Addition and subtraction of mixed numbers



ANSWERS
Card Set

C4

TOTALS	



TOTALS	
46	32